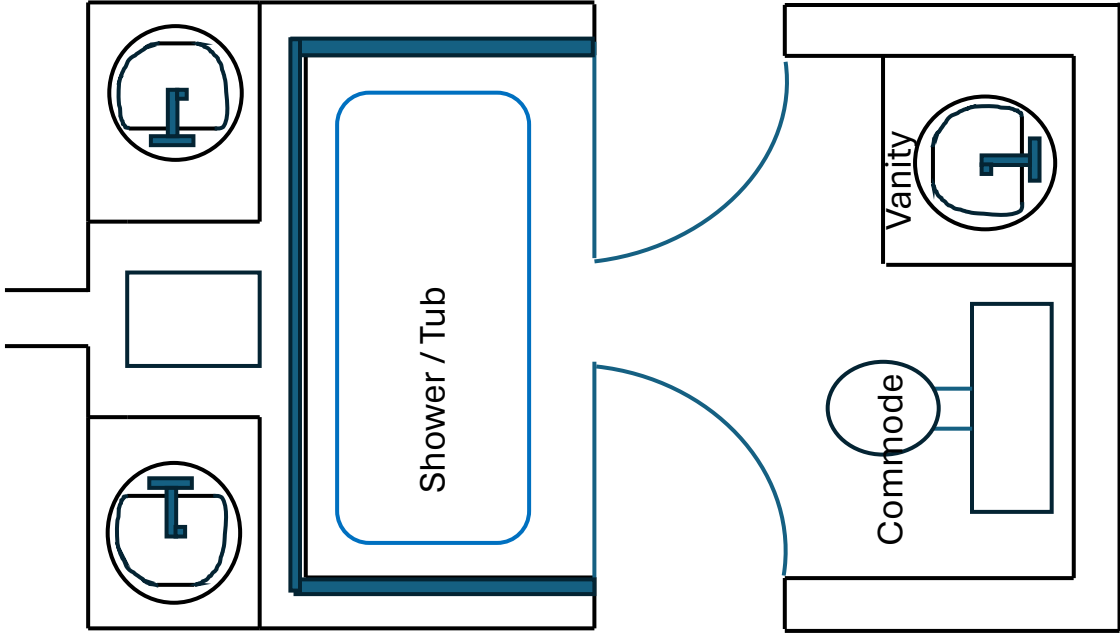
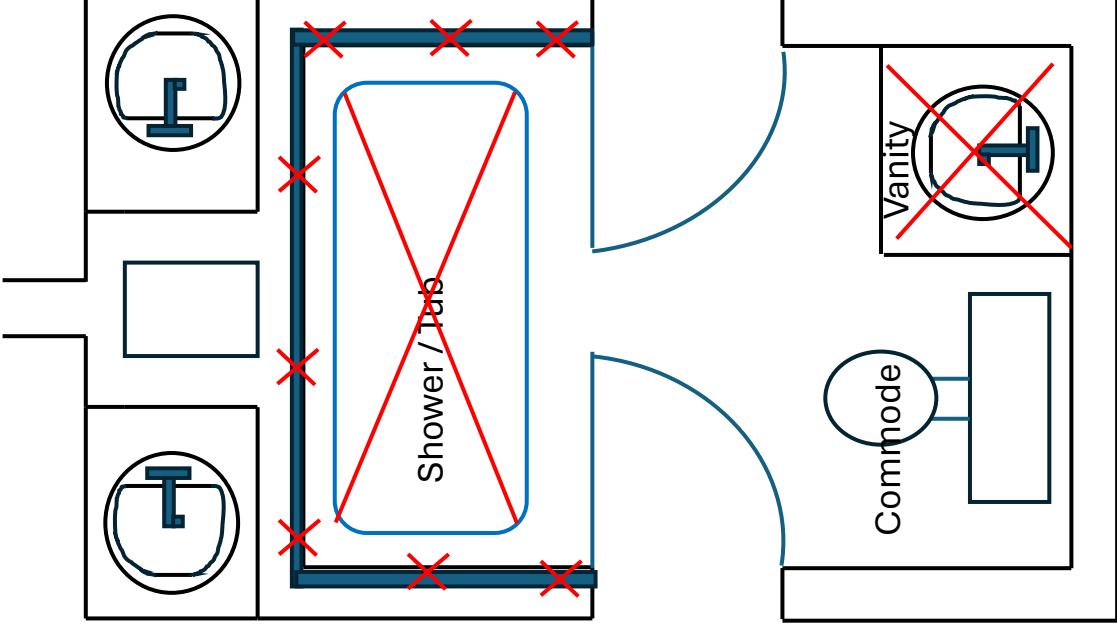


Lander University – Brookside Restroom Renovation



Not to Scale. Drawing intent to depict existing condition

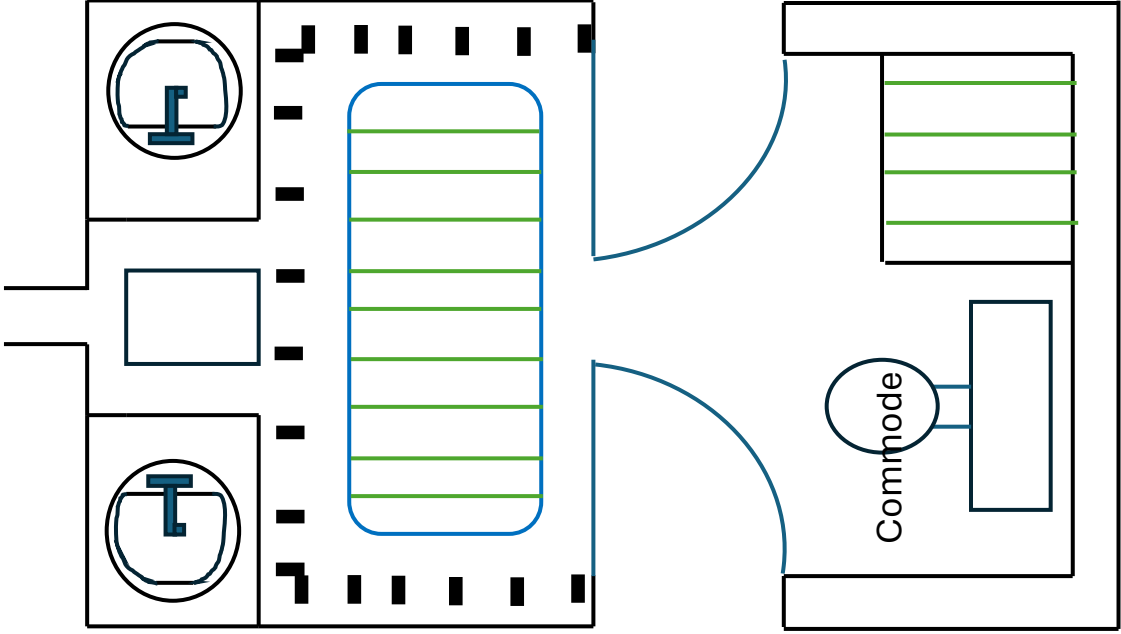


Not to Scale. Demolition

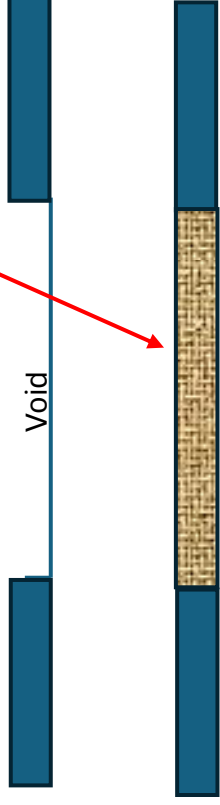
Demolition to consist of:

1. Existing Tub
2. Gypsum board on the three sides of the tub.
3. Existing Vanity

Lander University – Brookside Restroom Renovation



The removal of the Tub and Lavatory will result in a void relative to the floor tile elevation. The void to be filled with a floor grout and leveled with the floor tile.



Filling the void associated with the removal of the tub and vanity – Typical for all restrooms (dimensions may vary between restrooms)

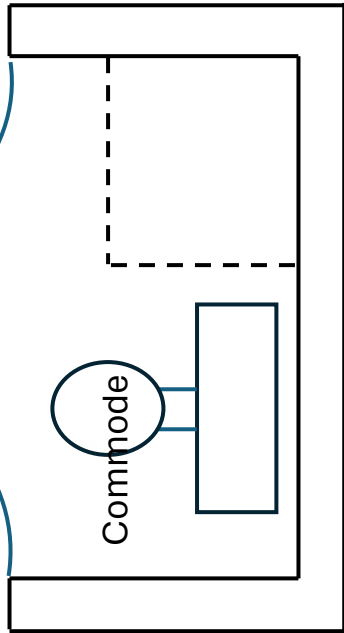
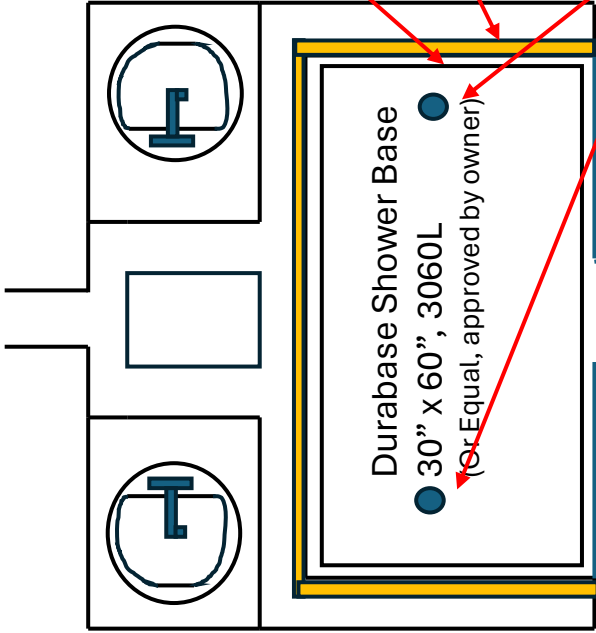
Not to Scale. Drawing intent to depict existing condition

Lander University – Brookside Restroom Renovation

Replace shower to be of multiple piece construction. The base will be the Durabase 3060L. This is the standard used throughout campus. Lander University willing to consider other manufacturer's bases. Lander University is the final decision maker on approval of the shower bases. Installation to comply with Industry Standards in materials, techniques, and methodology.

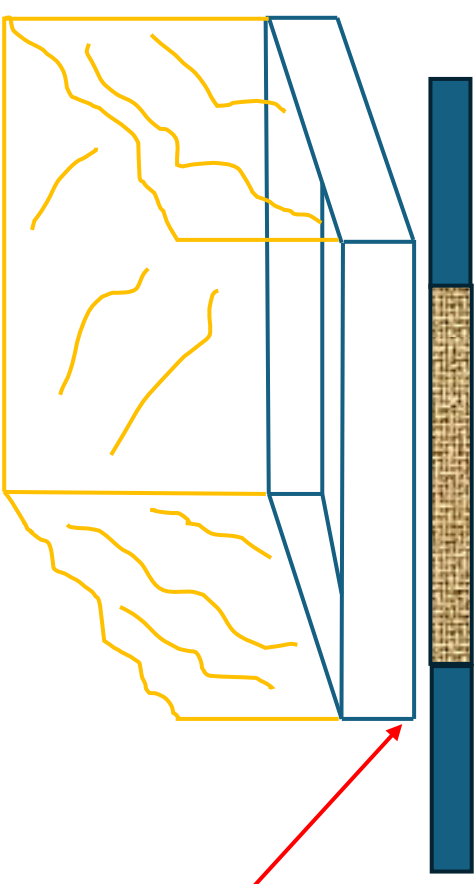
Install $\frac{1}{2}$ " Moisture-resistant drywall (Purple board) for areas prone to moisture and humidity. This drywall features a special paperless backing and an additional coating to prevent mold and moisture. Joints will be taped and mudded. Visible joints will be prepared for painting.

Contractor to verify quantity of either a left side or right-side drains.



Not to Scale.

Not to Scale. Drawing intent to depict existing condition



Details + Specifications

Details:

- Produced from high-grade, reinforced, molded fiberglass for optimum strength and impact resistance using matched metal molds under heat and pressure.
- Ideal for new or remodel projects...fits DURAWALL® Shower Walls (see Drain Location Left)

Specifications

Style	Standard Threshold
Color	White
Shower Depth	30"
Shower Width	60"
Shape	Rectangular
Drain Location	Left

Shower, Floor, + Barrier Free
<https://mustee.com/products/showers>
<https://mustee.com/products/showers>

3060L

UPC: 6 71031 00357 7

30" x 60" DURABASE® Shower Base - Left
 Drain - White

Replace a standard 5' bathtub with an easy-access shower—or install one in new construction where a standard bathtub was planned. The unique shower floor from E.L. Mustee & Sons will let you achieve either...with no need for major re-plumbing or changing the room layout. This shower base provides approximately 35% more usable interior floor space than a standard tub and eliminates the difficulties of stepping up and over a standard 15" high tub apron. It's excellent for seniors living independently or a beautiful way to create a luxury walk-in shower.



Available in:

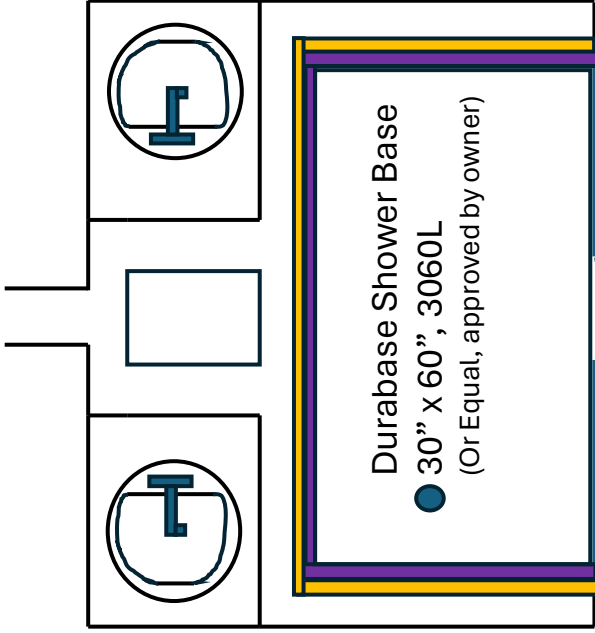
<https://mustee.com/catalog/3060lbc>

302-x-60-
 shower-base-
 shower-base-left-
 drain

3060L
 White

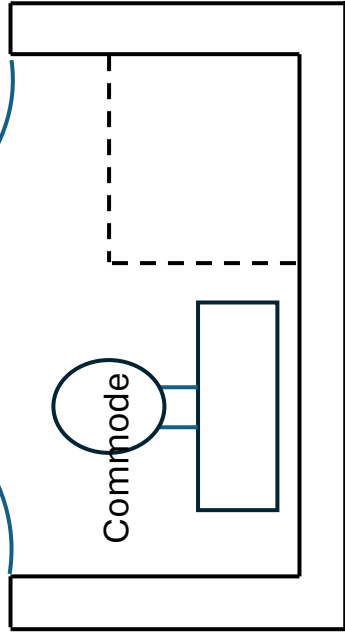
3060LBN
 Bone

Lander University – Brookside Restroom Renovation



Replacement shower to be a multiple section, Resin, composition walk-in shower. The proposed shower must be compatible with the Durabase 30x60 shower base. Lander University is asking the contractor to provide specifications / description of the proposed shower for approval. Lander University has not specified any soap ledges or corner seats. Some of this is standard, depending on the manufacturer. However, Lander University willing to accept the standard soap/ shampoo shelves and is willing to consider any manufacturer's sectional showers. Lander University is providing the preferred control valve, shower head, and finished control handle. Lander University is the final decision maker on approval of the showers and accessories.

Contractor is responsible for providing material and labor to modify the existing plumbing connections to match the new shower penetrations and elevations. Installation to comply with Industry Standards in materials, techniques, and methodology.



Not to Scale.

Not to Scale. Drawing intent to depict existing condition

DELTA / Showering / Tub and Shower Faucets / Shower He

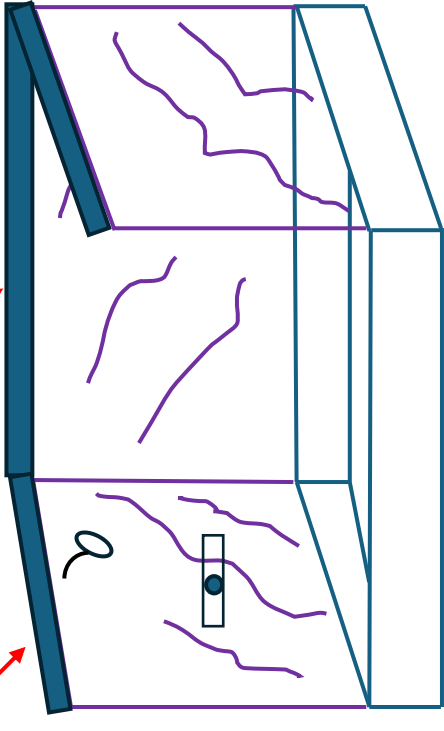


[View Full Classic Bathroom Collection](#)

Monitor® 13 Series Shower Trim
In Chrome

MODEL#: T13220

PVC board to transition from the shower wall to the gypsum board



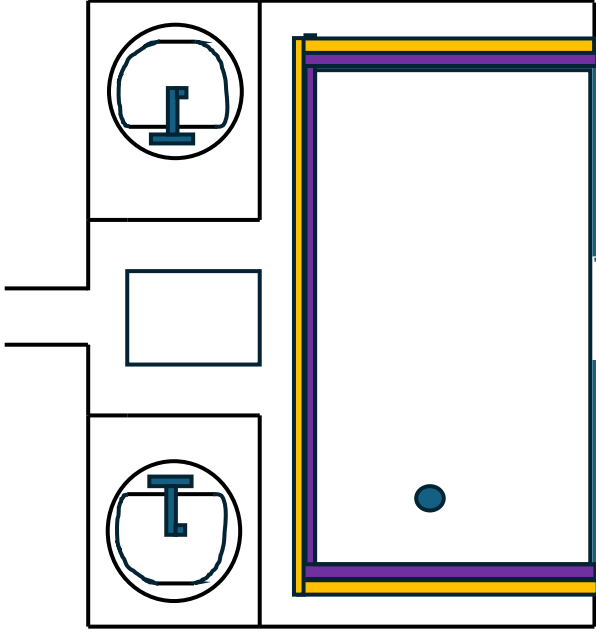
4/23/24, 4:44 PM
DELTA / Showering / Tub and Shower Faucets / Rough Valves
MultiChoice® Universal Tub / SI
COMMERCIAL



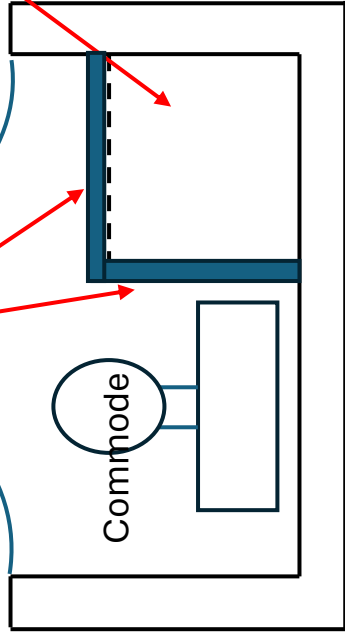
DELTA®
MultiChoice® Universal Tub /
Shower Rough - Universal Inlets /
Outlets

MODEL#: R10000-UNBX

Lander University – Brookside Restroom Renovation



PVC board may be required to cover the applied water-resistant grout. (dimensions vary from location to location)



Not to Scale.

Replacement vanity cabinet to fit within the existing physical space. Width shall not exceed 30-31 inches, depth may vary. This is the standard used throughout campus. Lander University willing to consider other manufacturer’s vanities. Lander University is the final decision maker on approval of the vanity. Installation to comply with Industry Standards in materials, techniques, and methodology.

Faucet shall be the Moen, Chateau Chrome, One Handle, 4-inch, low arc bathroom faucet. Connection to existing Hot-Water and Cold-Water supply lines shall be via the SS braided connector, length to fit.



Chateau Chrome One-Handle Low Arc Bathroom Faucet



30.5-in W x 18.6-in D bathroom vanity with top
 White cultured marble vanity top has an integral oval bowl and is pre-drilled for centerset faucet for easy installation (faucet and drain sold separately)
 Modern sink designed without overflow hole to prevent bacteria buildup and sti cleaning

Manufacturer Color/Finish: White

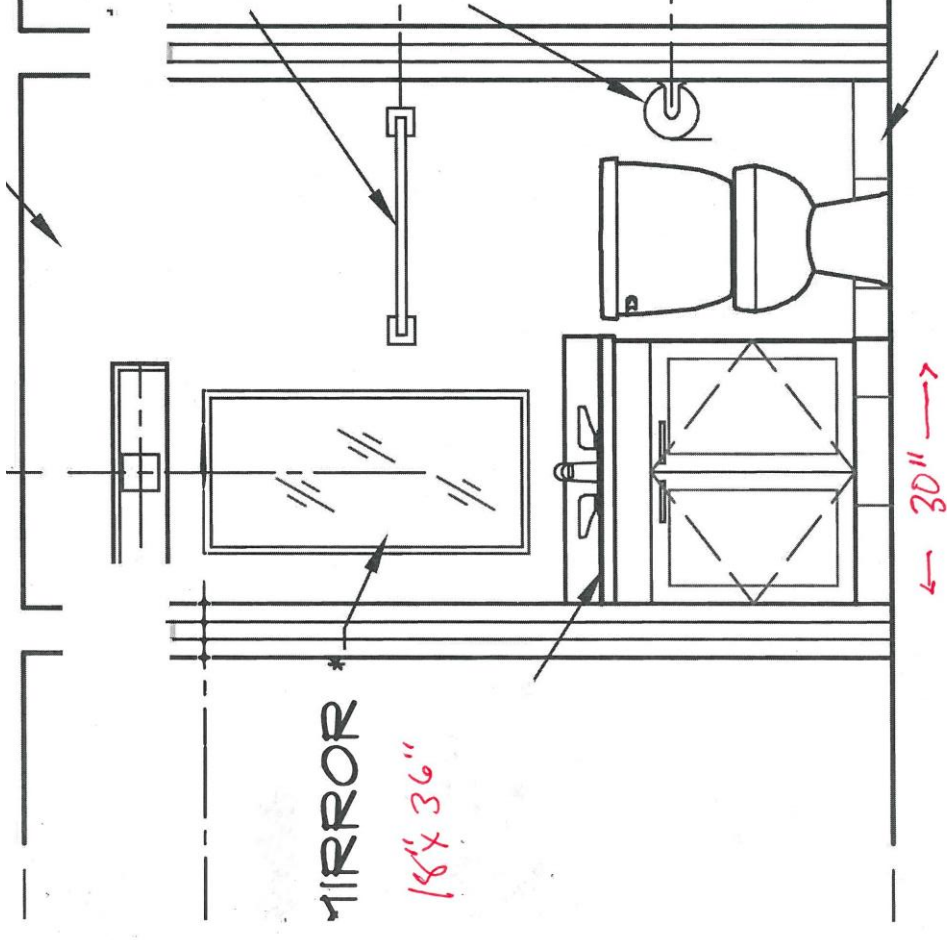


Not to Scale. Drawing intent to depict existing condition

Lander University – Brookside Restroom Renovation

Replacement mirror.

Contractor to provide a spec, sheet or description to Lander University, prior to procuring and installing. Existing mirror dimensions are 18 inches in width x 36 inches in length. Lander University is not asking for a medicine cabinet. Just a mirror. The replacement mirror may be framed or have a beveled edge. Lander University is the final decision maker on approval of the mirror. Installation to comply with Industry Standards in materials, techniques, and methodology.



Not to Scale. Drawing intent to depict existing condition



Brookside Student Housing
Bldg. 03

Bldg. 02